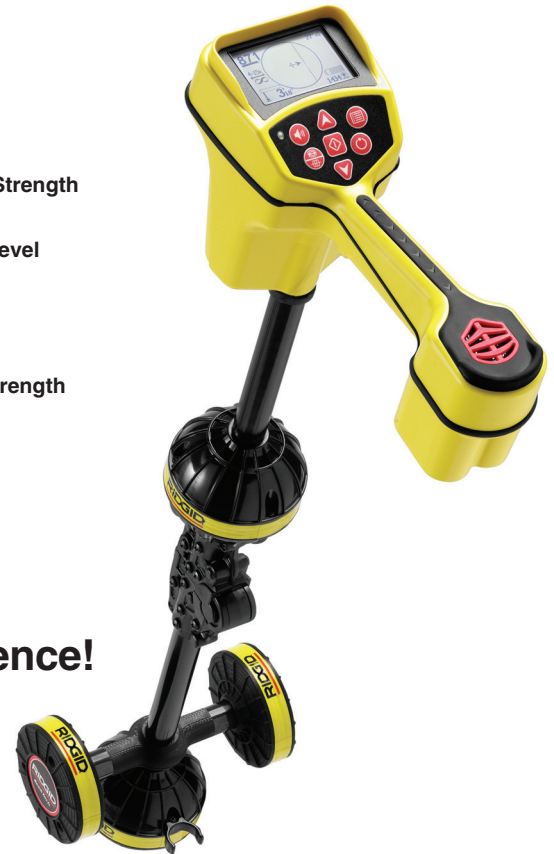
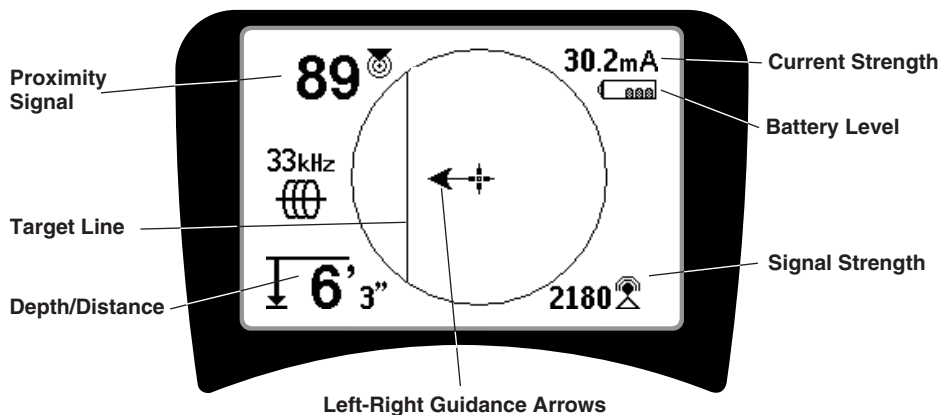


Demand the Best...

New!

The world's first mapping display with Omni-Directional antennas let's you do more with greater certainty...

SeekTech® SR-20



All the information you need to locate underground utilities with ease and confidence!

The Mapping Display confirms a good locate signal and identifies distortion in congested areas using:

- **Target Line** – Guides the operator down the line and shows changes in direction.
- **Left-Right Guidance Arrows** – Points the operator to the target utility.
- **Proximity Signal and Signal Strength** – Helps the operator center the locator closer to the target for more confident locates.

Other features include:

- **Continual Depth** – Increase productivity by showing depth changes in real time.
- **Current** – Identifies current on target line for faster diagnosis of complex locates.
- **Sensitivity** – Customizes the SR-20 to locate within specified depth ranges.



Demand the Best...

RIDGID®

When you need to know the exact location, choose RIDGID Diagnostic Equipment and locate with confidence!

Ordering Information

Catalog No.	Description	Shipping Weight
21893	SeekTech SR-20 Line Locator	3.9 lbs/1,8 kg
21898	SeekTech ST-305 Transmitter (5 watts)	2.4 lbs/1,1 kg
21903	SeekTech ST-510 Transmitter (10 watts)	8.9 lbs/4,0 kg
20973	SeekTech 4" Inductive Signal Clamp	1.8 lbs/0,8 kg

Specifications:

Active Line
 Trace Frequencies:.....128Hz, 1kHz, 8kHz, 33kHz
 Passive Power Trace:50Hz, 60Hz,
 <4kHz Broadband
 Passive Radio Trace:.....4kHz-15kHz, 15kHz-36kHz
 Sonde Frequencies:16Hz, 512Hz, 33kHz
 Weight:3.9 lbs.
 Power Source.....4 C-Size Batteries



www.ridgid.com/seektech

The patent pending SR-20 – the industry’s easiest and most advanced way to find underground utilities.

Combine the SR-20 with either the ST-305 or ST-510 Transmitter for your complete locating package.



ST-305



Clamp

ST-305 and ST-510 transmit signal onto a buried metallic line or cable in one of three ways:

- Direct Connect using attached Clips
- Induction from the Transmitter Coils
- Induction from the optional Inductive Signal Clamp



ST-510

Specifications (ST-305):

Frequencies:.....1kHz, 8kHz, 33kHz
 Output Power:.....5 Watt, Variable
 Output:2 frequencies simultaneous
 Weight:2.4 lbs.
 Maximum Open
 Circuit Voltage:240VAC 50/60Hz
 Power Source:.....6-C Size Batteries

Specifications (ST-510):

Frequencies:.....128Hz, 1kHz, 8kHz, 33kHz,
 262kHz
 Output Power:.....10 Watt, Variable
 Weight:8.9 lbs.
 Maximum Open
 Circuit Voltage:240VAC 50/60Hz
 Power Source:.....8-D Size Batteries