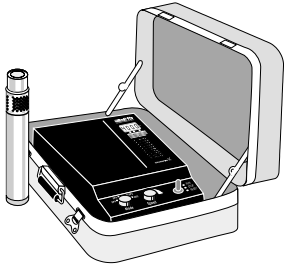
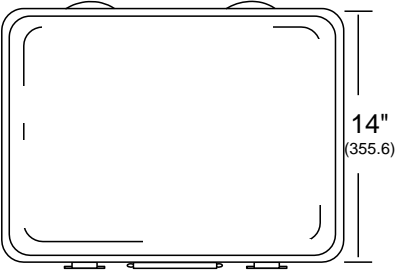
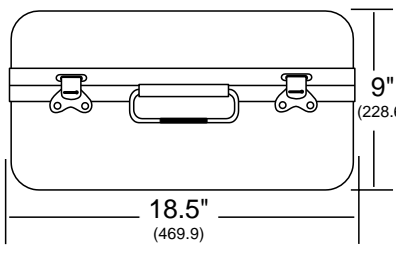


Submittal Data

	JOB or CUSTOMER:	
	ENGINEER:	
	CONTRACTOR:	
	SUBMITTED BY:	DATE:
	APPROVED BY:	DATE:
	ORDER NO:	DATE:
	SPECIFICATION REF:	

<h3>Technical Data</h3> <p>ELECTRIC:</p> <p>Input 115V ± 10% / 1 PH / 48-62 HZ / 23A 230V ± 10% / 1 PH / 48-62 HZ / 23A</p> <p>Output w/115V Input (Nominal) 1.5 kw / 400 HZ / 220V / 3 PH / 5.5A (Redi-Flo2®) 1.5 kw / 80 HZ / 230V / 3 PH / 5.5A (Redi-Flo4™)</p> <p>Output w/230V Input (Nominal) 1.5 kw / 400 HZ / 220V / 3 PH / 5.5A (Redi-Flo2®) 2.0 kw / 100 HZ / 230V / 3 PH / 6.7A (Redi-Flo4™)</p> <p>Acceleration Time 0 to 400 HZ: 5 seconds (Redi-Flo2®) 0 to 100 HZ: 5 seconds (Redi-Flo4™)</p> <p>Deceleration Time 400 to 0 HZ: 5 seconds (Redi-Flo2®) 100 to 0 HZ: 5 seconds (Redi-Flo4™)</p> <p>Recommended Input Line Protection (115V) Fuse 1 each, 250V, 25A, UL Class RK1 or circuit breaker, 25A/300V/1P (230V) Fuse 1 each, 230V, 25A, UL Class RK1 or circuit breaker, 25A/300V/2P</p> <p>Motor Lead Connector Housing: Harting Female insert: Harting</p> <p>Power Cable Type SJOW, 300V, 14 AWG, 10' Long</p>	<p>OPERATING CONDITIONS:</p> <p>Ambient Temperature 14°F to 120°F (-10°C to 50°C)</p> <p>STORAGE CONDITIONS:</p> <p>Ambient Temperature -4°F to 140°F (-20°C to 60°C)</p> <p>Relative Air Humidity 95%, Non-condensing</p> <p>PROTECTIVE CASE CONSTRUCTION: Case: High density polyethylene Trim: Aluminum Lock: Military twist-type - steel with zinc plating</p> <p>MINIMUM GENERATOR SIZE:</p> <p>Redi-Flo2® For Generators with Voltage Regulation 2500 Watts at 115/230 VAC, single phase For Generators without Voltage Regulation 5000 Watts at 115/230 VAC, single phase Recommended For Optimal Performance 4000 Watts at 115/230 VAC, single phase with voltage regulation.</p> <p>Redi-Flo4™ For Generators with Voltage Regulation 3400 Watts at 115/230 VAC, single phase For Generators without Voltage Regulation Regulation: 6700 Watts at 115/230 VAC, single phase Recommended For Optimal Performance 5400 Watts at 115/230 VAC, single phase with voltage regulation</p>
---	--

Dimensions (inches/mm)

Net Weight: 20Lbs.
Type: SI/MP1 - 115/230V